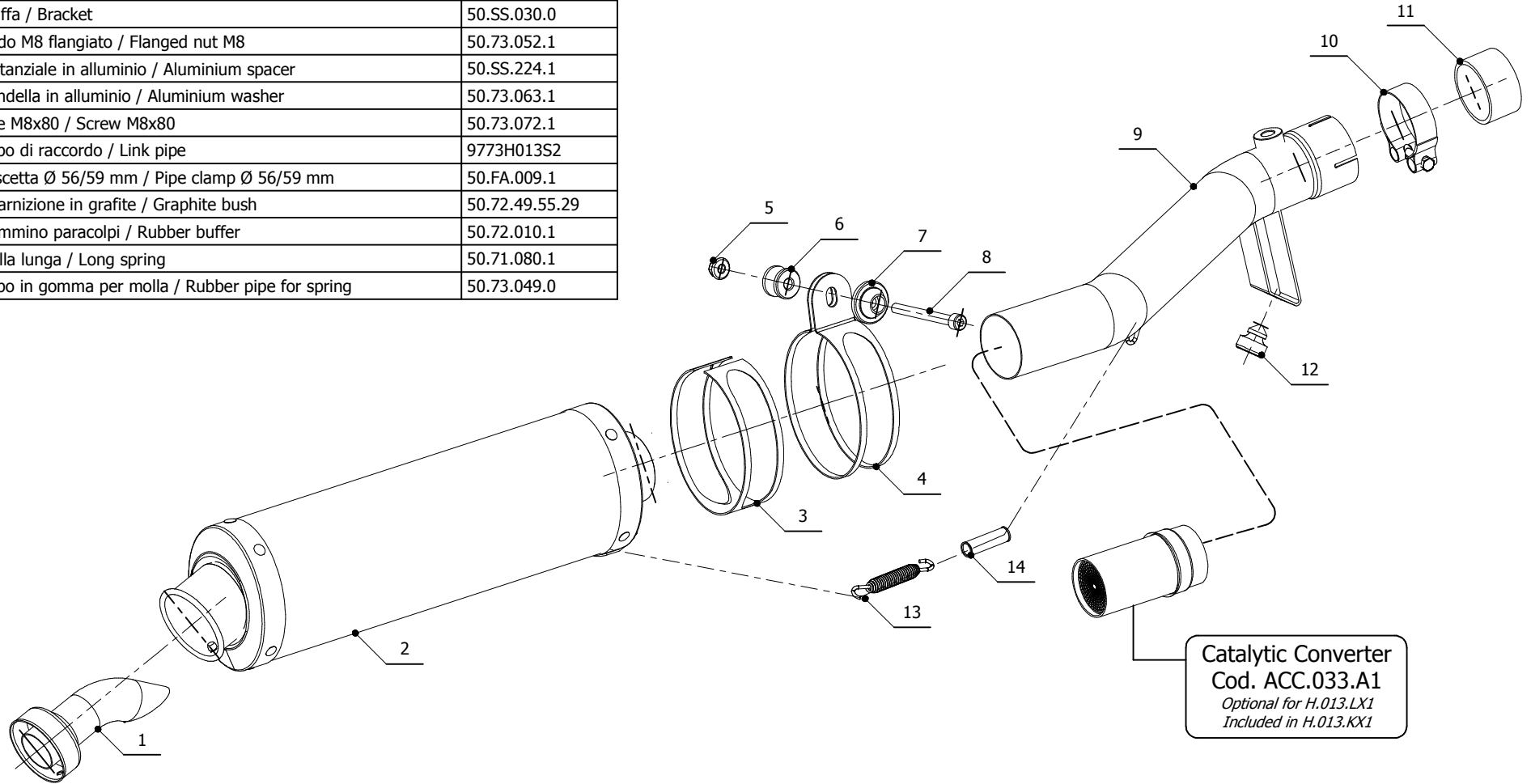


ELENCO PARTI / PARTS LIST

#	QTÀ / QTY	DESCRIZIONE / DESCRIPTION	CODICE / CODE
1	1	DB killer / DB killer	50.DK.020.0
2	1	Silenziatore / Muffler	OVAL
3	1	Protezione in gomma per staffa / Rubber protection for bracket	50.73.077.1
4	1	Staffa / Bracket	50.SS.030.0
5	1	Dado M8 flangiato / Flanged nut M8	50.73.052.1
6	1	Distanziale in alluminio / Aluminium spacer	50.SS.224.1
7	1	Rondella in alluminio / Aluminium washer	50.73.063.1
8	1	Vite M8x80 / Screw M8x80	50.73.072.1
9	1	Tubo di raccordo / Link pipe	9773H013S2
10	1	Fascetta Ø 56/59 mm / Pipe clamp Ø 56/59 mm	50.FA.009.1
11	1	Guarnizione in grafite / Graphite bush	50.72.49.55.29
12	1	Gommino paracolpi / Rubber buffer	50.72.010.1
13	1	Molla lunga / Long spring	50.71.080.1
14	1	Tubo in gomma per molla / Rubber pipe for spring	50.73.049.0



APPLICAZIONI / APPLICATIONS

CODICE / CODE	TUBO / PIPE	SILENZIATORE / MUFFLER	FASCETTA / CLAMP	NOTE
74.H.013.LX1	INOX / ST. STEEL	INOX / ST. STEEL	INOX / ST. STEEL	CATALYTIC CONVERTER NOT INCLUDED
74.H.013.KX1	INOX / ST. STEEL	INOX / ST. STEEL	INOX / ST. STEEL	CATALYTIC CONVERTER INCLUDED