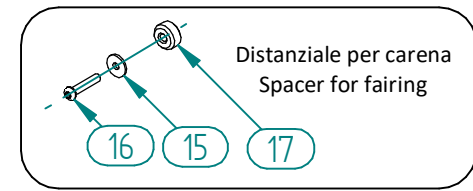
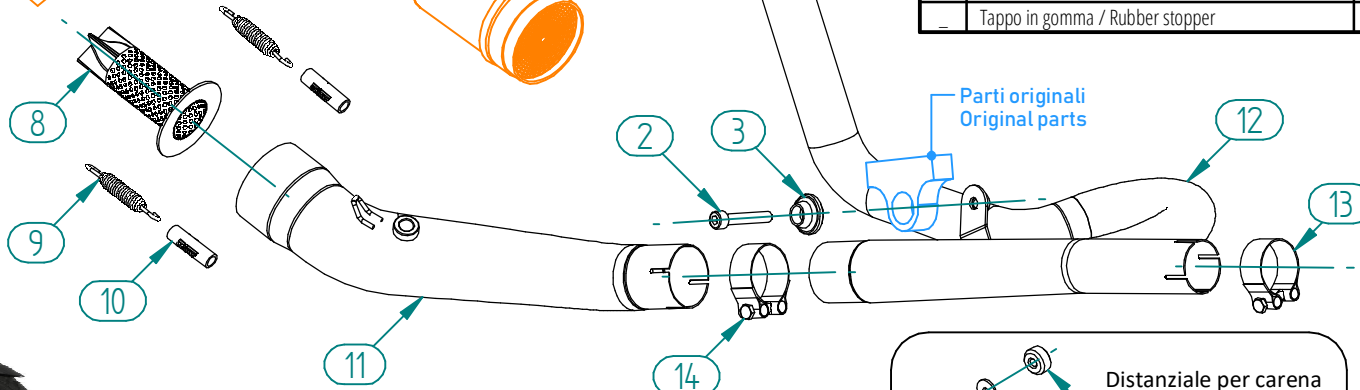


Catalytic Converter
Cod. ACC.046.A1
Optional for S.049.LRX - S.049.LRB
Included in S.049.KRX - S.049.KRB

#	DESCRIPTION	PARTNUMBER	QTY
1	Silenziatore / Muffler L.400 Ø165	SPEED EDGE	1
2	Vite M8x45 / Screw M8x45	50.73.602.1	2
3	Rondella in alluminio nera / Black aluminium washer	50.73.221.1	2
4	Staffa / Bracket	50.SS.1042.0	1
5	Dado M8 flangiato / Flanged nut M8	50.73.393.1	1
6	Vite M8 x 16 / Screw M8 x 16	50.73.098.1	2
7	Rondella di sicurezza / Safety washer	50.73.604.1	2
8	dB Killer forato / Drilled dB killer	50.DK.126.0	1
9	Molla media / Mid-size spring	50.73.359.1	2
10	Tubo in gomma per molla / Rubber pipe for spring	50.73.210.1	2
11	Tubo di raccordo / Link pipe	9773S049SRX	1
12	Tubo di raccordo / Link pipe	9773S049C1	1
13	Fascetta Ø 40/43 mm / Pipe clamp Ø 40/43 mm	50.FA.005.0	2
14	Fascetta Ø 44/47 mm / Pipe clamp Ø 44/47 mm	50.FA.006.1	1
15	Rondella M6 / Washer M6	50.73.187.1	1
16	Vite M6x30 / Screw M6x30	50.73.471.1	1
17	Distanziale in alluminio / Aluminium spacer	50.SS.1319.1	1
-	DB killer	50.DK.091.0	1
-	Tappo in gomma / Rubber stopper	50.73.266.1	1



APPLICAZIONI / APPLICATIONS			
CODICE / CODE	SILENZIATORE / MUFFLER	NOTE	TUBO / PIPE
S.049.LRX	INOX / ST. STEEL	CATALYTIC CONVERTER	INOX / ST. STEEL
S.049.LRB	STEEL BLACK	NOT INCLUDED	
S.049.KRX	INOX / ST. STEEL	CATALYTIC CONVERTER	
S.049.KRB	STEEL BLACK	INCLUDED	

