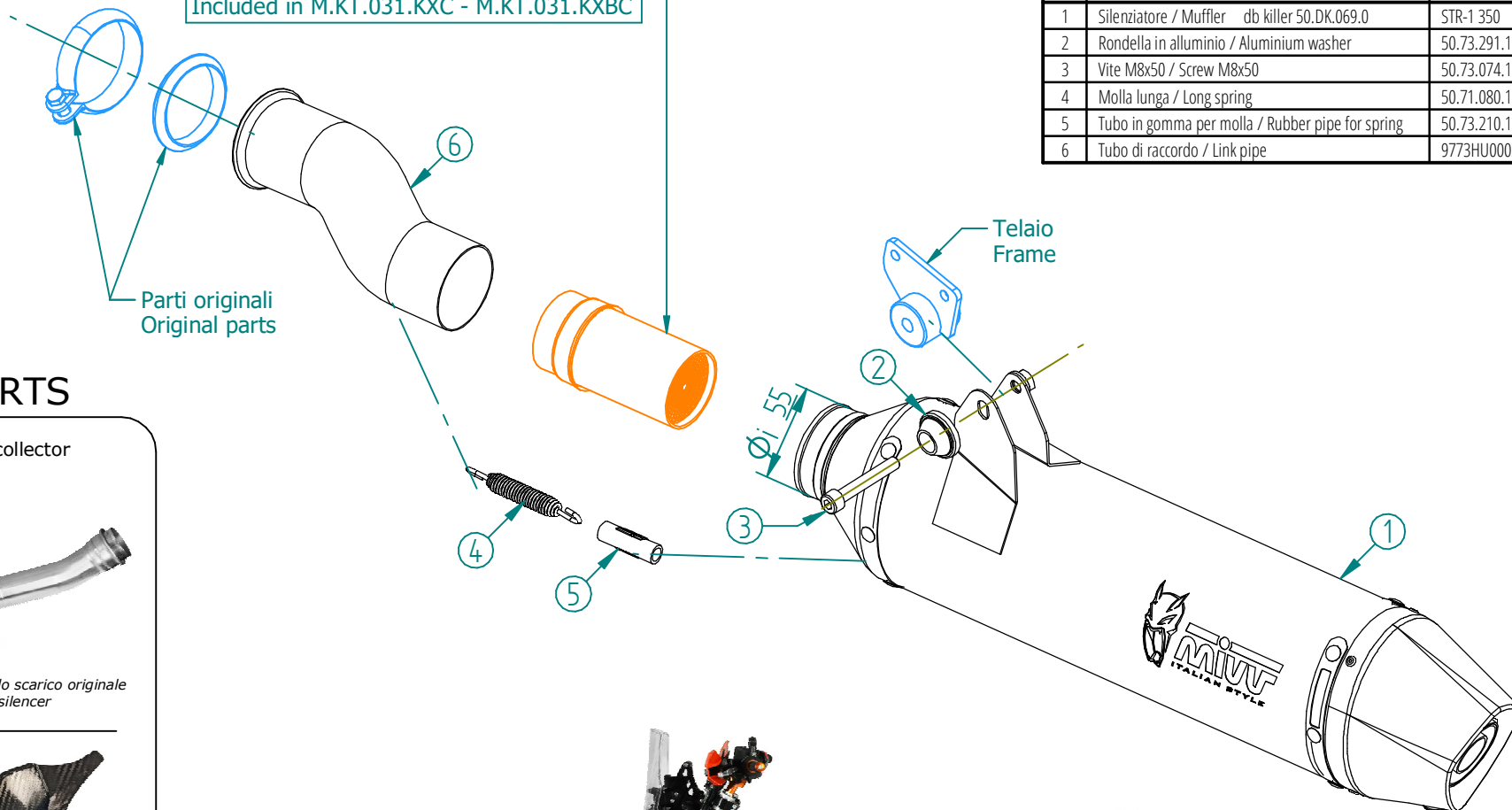


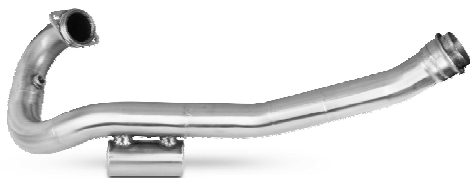
Catalytic Converter
Cod. ACC.041.A1
Optional for M.KT.031.LXC - M.KT.031.LXBC
Included in M.KT.031.KXC - M.KT.031.KXBC



#	DESCRIPTION	PART NUMBER	QTY
1	Silenziatore / Muffler db killer 50.DK.069.0	STR-1 350	1
2	Rondella in alluminio / Aluminium washer	50.73.291.1	1
3	Vite M8x50 / Screw M8x50	50.73.074.1	1
4	Molla lunga / Long spring	50.71.080.1	1
5	Tubo in gomma per molla / Rubber pipe for spring	50.73.210.1	1
6	Tubo di raccordo / Link pipe	9773HU0003SE	1

OPTIONAL PARTS

Collettore racing - Racing collector
KT.023.C1



Monta sia con silenziatore MIVV che con lo scarico originale
It fits both MIVV and genuine silencer



Carter in carbonio - Carbon fiber cover
00.73.ACC.091.0

APPLICAZIONI / APPLICATIONS

CODICE / CODE	SILENZIATORE / MUFFLER	TUBO / PIPE	NOTE
M.KT.031.LXC	INOX (COPPA CARBONIO) / ST. STEEL (CARBON CAP)	INOX / ST. STEEL	CATALYTIC CONVERTER NOT INCLUDED
M.KT.031.LXBC	INOX NERO (COPPA CARBONIO) / STEEL BLACK (CARBON CAP)		
M.KT.031.KXC	INOX (COPPA CARBONIO) / ST. STEEL (CARBON CAP)		CATALYTIC CONVERTER INCLUDED
M.KT.031.KXBC	INOX NERO (COPPA CARBONIO) / STEEL BLACK (CARBON CAP)		

