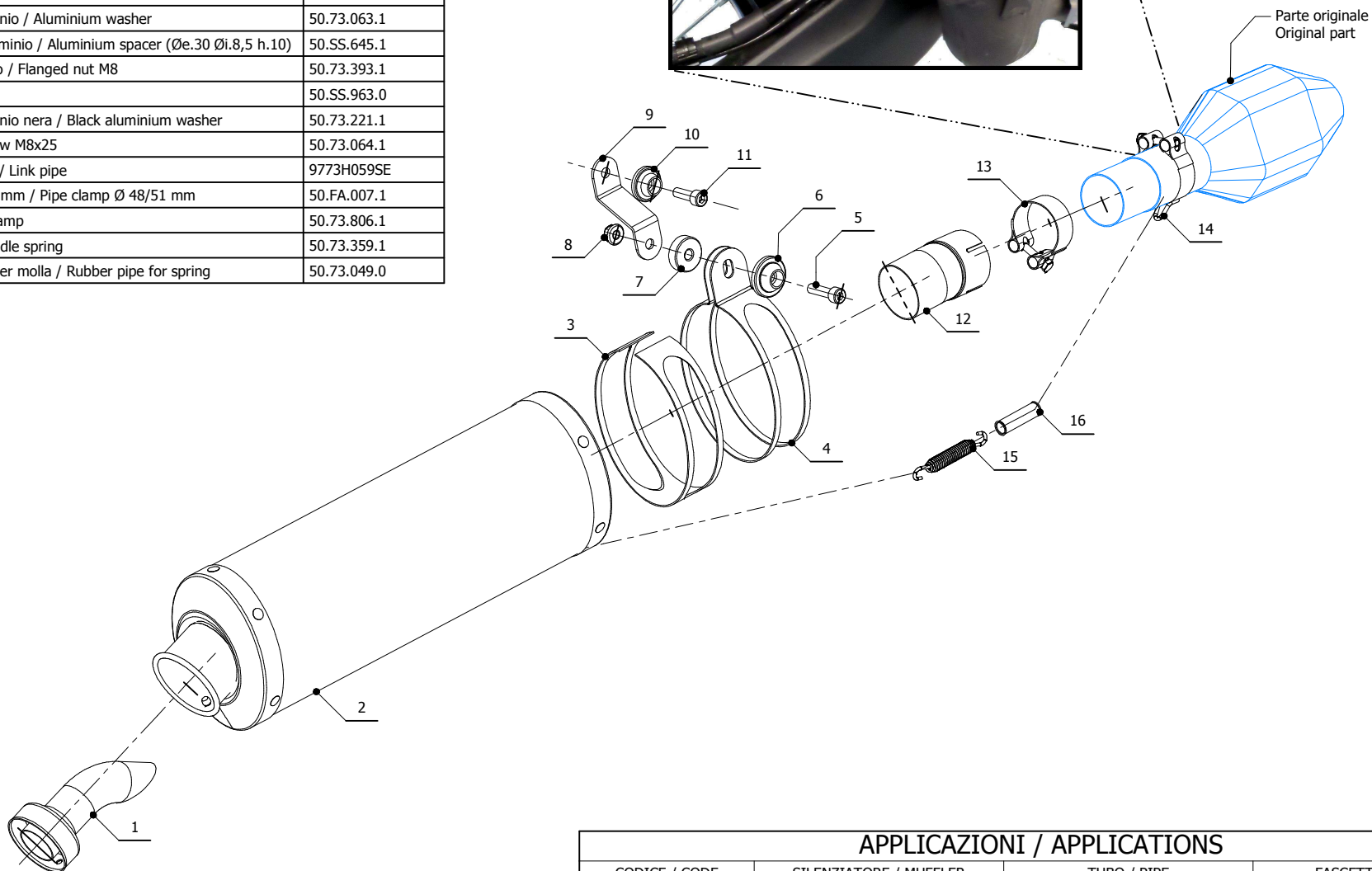


**ELENCO PARTI / PARTS LIST**

#	QTÀ / QTY	DESCRIZIONE / DESCRIPTION	CODICE / CODE
1	1	DB killer / DB killer	50.DK.020.0
2	1	Silenziatore / Muffler	OVAL
3	1	Protezione in gomma per staffa / Rubber protection for bracket	50.73.041.1
4	1	Staffa / Bracket	50.SS.002.0
5	1	Vite M8x30 / Screw M8x30	50.73.219.1
6	1	Rondella in alluminio / Aluminium washer	50.73.063.1
7	1	Distanziale in alluminio / Aluminium spacer (Øe.30 Øi.8,5 h.10)	50.SS.645.1
8	1	Dado M8 flangiato / Flanged nut M8	50.73.393.1
9	1	Staffa / Bracket	50.SS.963.0
10	1	Rondella in alluminio nera / Black aluminium washer	50.73.221.1
11	1	Vite M8x25 / Screw M8x25	50.73.064.1
12	1	Tubo di raccordo / Link pipe	9773H059SE
13	1	Fascetta Ø 48/51 mm / Pipe clamp Ø 48/51 mm	50.FA.007.1
14	1	Fascetta / Pipe clamp	50.73.806.1
15	1	Molla media / Middle spring	50.73.359.1
16	1	Tubo in gomma per molla / Rubber pipe for spring	50.73.049.0



**APPLICAZIONI / APPLICATIONS**

CODICE / CODE	SILENZIATORE / MUFFLER	TUBO / PIPE	FASCETTA / CLAMP
74.H.059.LX2	INOX / ST.STEEL	INOX / ST.STEEL	INOX / ST.STEEL