

SHAD

ENGINEERED FOR RIDING



USER GUIDE TOP CASE

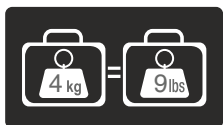
SH39

WWW.SHAD.ES

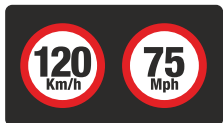
CARE AND MAINTENANCE



WARNING!



MAXIMUM WEIGHT



MAXIMUM SPEED, CHECK LOCAL LAWS.



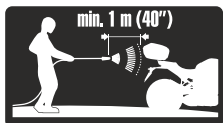
ALWAYS SECURE AND LOCK PRODUCTS.



ONLY USE RECOMMENDED CLEANING PRODUCTS.

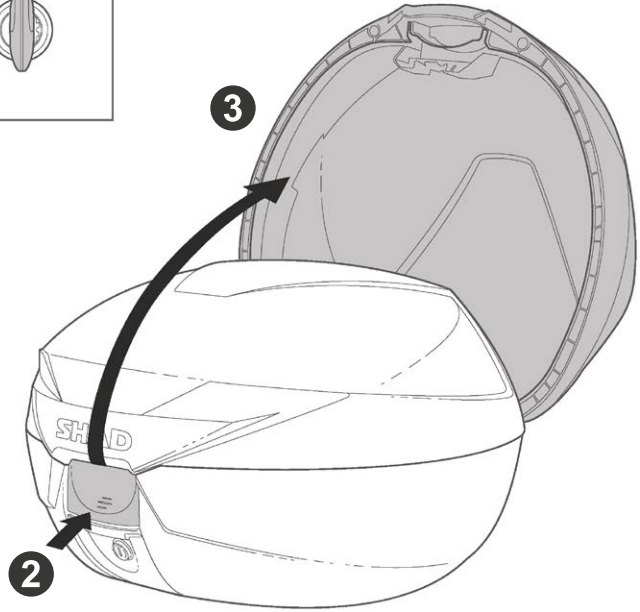
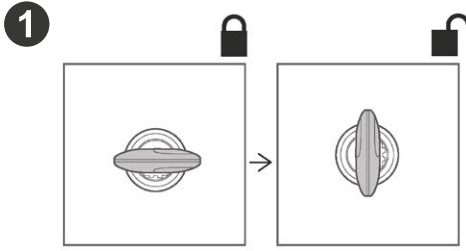


CASES ARE NOT DESIGNED TO PROTECT FRAGILE OBJECTS.

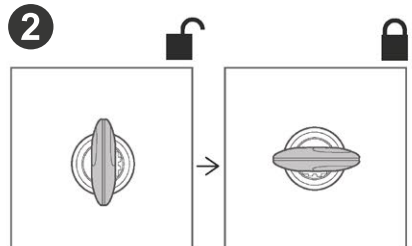
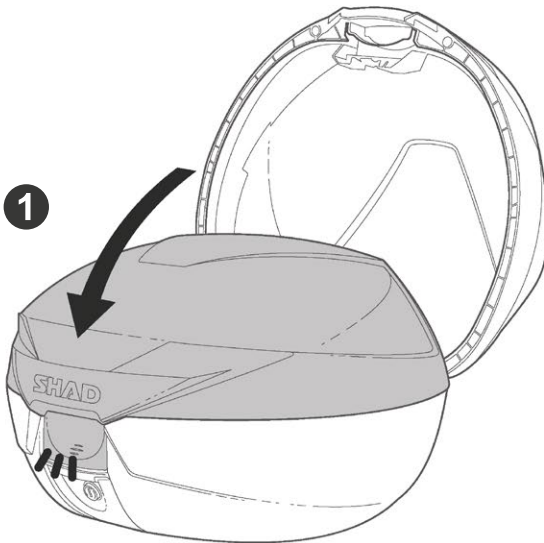


1 M. MINIMUM DISTANCE WITH POWER WASHER.

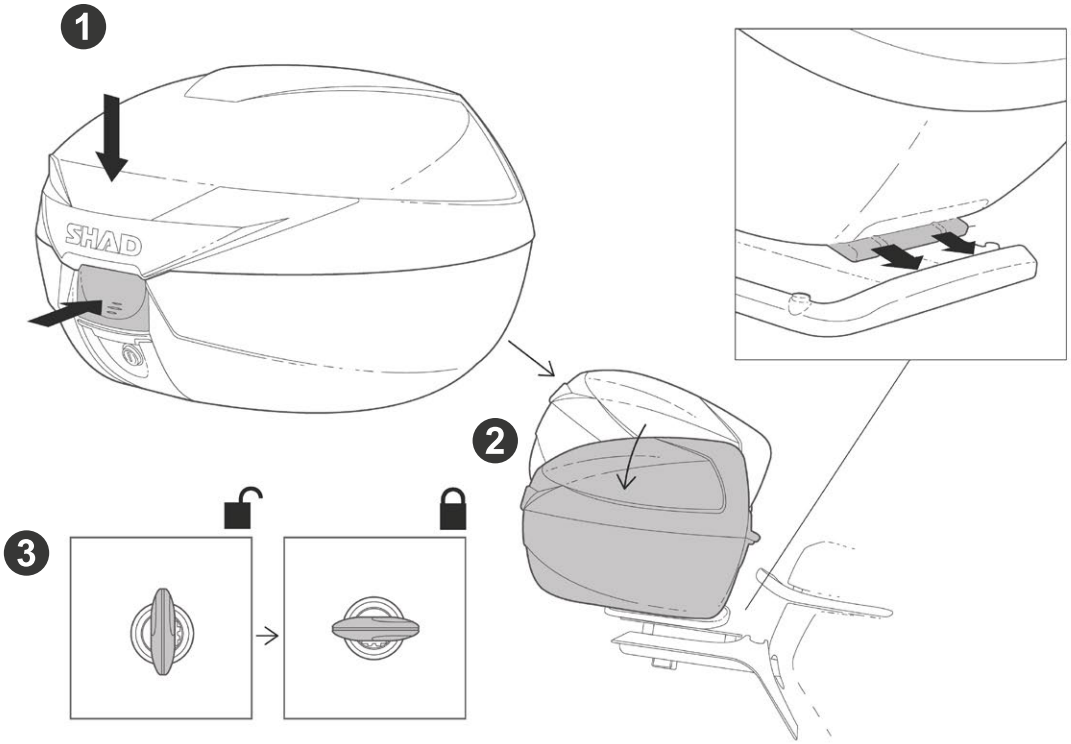
OPEN



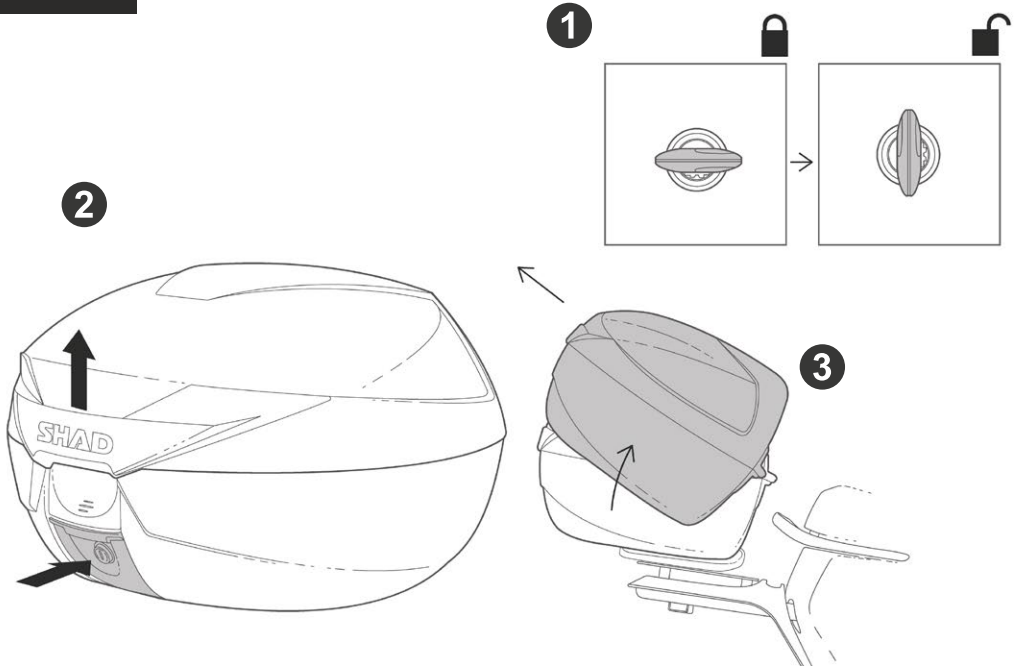
CLOSE



ASSEMBLY



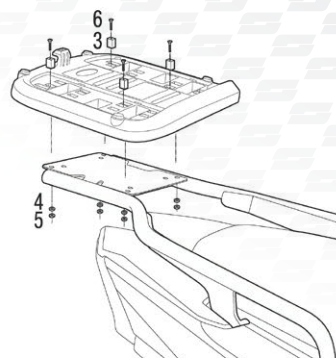
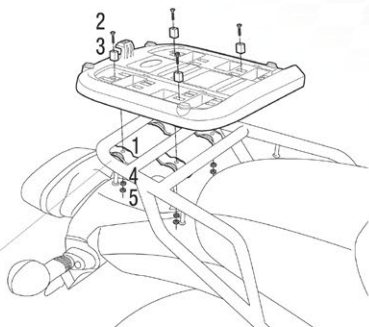
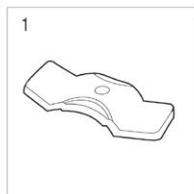
RELEASE



TOP CASE SUPPORT ASSEMBLY

USE TOP CASE PARTS

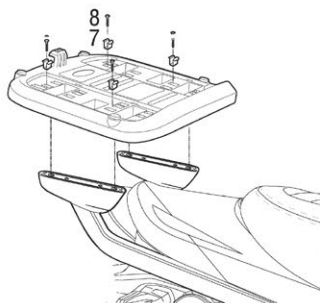
#	Piece	Quantity
1	Clip	4
2	Screw M6x40	4
3	Plastic spacer	4
4	Ø6 Washer M6	4
5	Nut M6	4
6	Screw M6x30	4



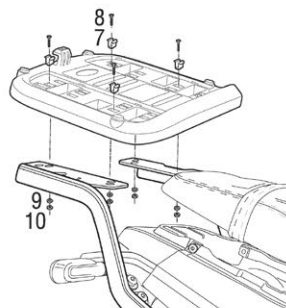
SHAD Top Master*

USE FITTING KIT PARTS

#	Piece	Quantity
7	Metal spacer	4
8	Screw M8x20	4
9	Washer M8	4
10	Nut M8	4



SHAD Top Master*



SHAD Top Master*



⚠ CHECK BIKE COMPATIBILITY
WWW.SHAD.ES *

ACCESSORIES

BACK REST
Ref. D0RI3900



LIGHT
Ref. D0B40KL



LED

SH39 COLOUR COVERS

WHITE
Ref. D1B39E08



NEW TITANIUM
Ref. D1B39E15



BLACK
Ref. D1B39E21



UNPAINTED COVER
Ref. D1B39ER



DESIGNED IN BARCELONA

Since 1973

SHAD EUROPE NAD S.L.
HEADQUARTERS

T: (+34) 935 795 866
Octave Lecante, 2-6
Mollet del Valles, 08100
Barcelona - Spain

SHAD CHINA

T: (+86) 21 6236 5730
Room 501 (Zone 1-T3),
No.1, Lane 268, Tai Hong Road,
MinHang District, 201107
Shanghai - China

SHAD USA

T: (+1) 305 652 6366
19096 NE 4th Court
Miami FL, 33179
USA

SHAD INDONESIA

T: (+62) 21 2271 8560
Jl. Kemang Selatan VIII No.56 Unit B
Jakarta 12730 Indonesia

WWW.SHAD.ES



WE ARE
DOING
GREEN

AS PART OF THE TERRA DEVELOPMENT PROJECT, FROM SHAD WE HAVE ACQUIRED THE COMMITMENT TO FIGHT AGAINST CLIMATE CHANGE BY REFORESTATION.



tree-nation

Tree-Nation is an open, collaborative platform to reforest the world.

Expand our SHAD forest
CAN YOU HELP US REFOREST?
JUST ENTER AND SEE HOW

WWW.SHAD.ES